

Table 40 Dimensions in Millimeters
Weights in Kilograms

Large Diameter			Small Diameter			L3	L	Mass
Nominal diameter DN	e1	L1	Nominal diameter dn	e2	L2			
80	10.5	45	60	10.0	43	110	198	16
100	10.5	45	60	10.0	43	112	200	17
	10.5	45	80	10.0	43	112	200	18
125	11.1	45	60	10.0	43	112	400	18
	11.1	47.5	80	10.0	43	309.5	400	27
	11.1	47.5	100	10.5	43	307.5	400	30
150	11.7	50	80	10.0	43	307	400	31
	11.7	50	100	10.5	45	305	400	34
	11.7	50	125	11.1	47.5	302.5	400	38
200	12.8	55	80	10.5	45	300	400	38
	12.8	55	100	10.5	45	300	400	43
	12.8	55	125	11.1	47.5	297.5	400	47
	12.8	55	150	11.7	50	295	400	51
250	14.0	55	80	11.1	50	292.5	400	50
	14.0	55	100	11.1	50	295	400	54
	14.0	60	125	11.1	47.5	292.5	400	58
	14.0	60	150	11.7	50	290	400	62
300	15.2	55	100	11.7	45	300	400	67
	15.2	55	125	11.7	47.5	297.5	400	70
	15.2	65	150	11.7	50	285	400	75
	15.2	65	200	12.8	55	280	400	84
350	16.3	65	150	12.8	60	475	600	105
	16.3	60	200	12.8	55	475	600	117
	16.3	70	250	14	60	470	600	131
	16.3	70	300	15.2	65	465	600	146

Table 40 Dimensions in Millimeters
Weights in Kilograms

Large Diameter			Small Diameter			L3	L	Mass
Nominal diameter DN	e1	L1	Nominal diameter dn	e2	L2			
400	17.5	75	150	14.0	50	475	600	
	17.5	75	200	14.0	55	470	600	
	17.5	75	250	14.0	60	465	600	149
	17.5	75	300	15.2	65	460	600	164
	17.5	75	350	16.3	70	455	600	181
500	19.8	85	200	16.3	60	455	600	
	19.8	85	250	16.3	65	450	600	
	19.8	85	300	16.3	70	445	600	
	19.8	85	350	16.3	70	445	600	222
	19.8	85	400	17.5	75	440	600	241
600	22.2	95	250	17.5	55	450	600	
	22.2	95	300	17.5	60	445	600	
	22.2	95	350	17.5	65	440	600	
	22.2	95	400	17.5	75	430	600	290
	22.2	95	500	19.8	85	420	600	332
700	24.5	105	350	19.8	70	425	600	
	24.5	105	400	19.8	75	420	600	
	24.5	105	500	19.8	85	410	600	388
	24.5	105	600	22.2	95	400	600	437
800	26.8	115	400	22.2	75	420	600	
	26.8	115	500	22.2	85	410	600	
	26.8	115	600	22.2	95	390	600	501
	26.8	115	700	24.5	105	380	600	557
900	29.2	125	500	24.5	85	390	600	
	29.2	125	600	24.5	95	380	600	
	29.2	125	700	24.5	105	370	600	629
	29.2	125	800	26.8	115	360	600	692

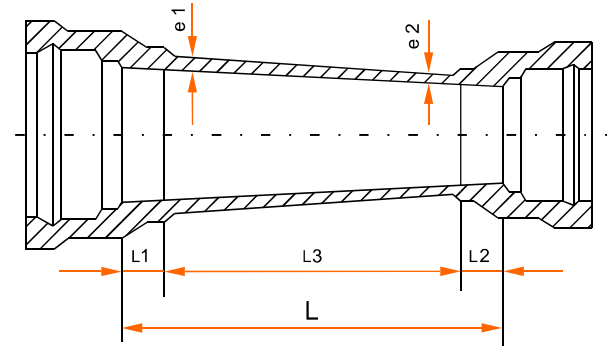


Table 40 Dimensions in Millimeters
Weights in Kilograms

Large Diameter			Small Diameter			L3	L	Mass
Nominal diameter DN	e1	L1	Nominal diameter dn	e2	L2			
1000	31.5	135	600	26.8	95	370	600	
	31.5	135	700	26.8	105	360	600	
	31.5	135	800	26.8	115	350	600	772
	31.5	135	900	29.2	125	340	600	843