

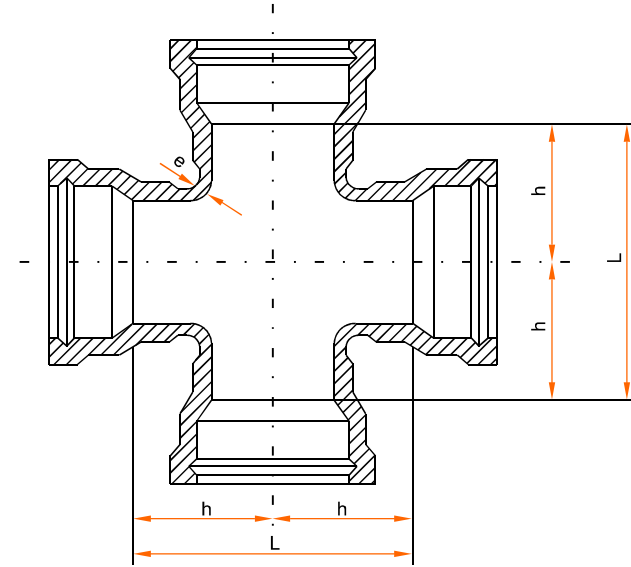
Symbol:



Table 22

Dimensions in Millimeters
Weights in Kilograms

Nominal diameter DN	e	L	Mass
80	10.0	400	12
100	10.5	400	14
125	11.1	400	19
150	11.7	400	23
200	12.8	500	39
250	14.0	500	53
300	15.2	500	68
350	16.3	500	85
400	17.5	500	104
500	19.8	500	146
600	22.2	600	227
700	24.5	600	295
800	26.8	600	375
900	29.2	600	455
1000	31.5	600	552



Symbol:



Table 23

Dimensions in Millimeters
Weights in Kilograms

Nominal diameter DN	e	L	h	Mass
80	10.0	212	106	30
100	10.5	240	120	39
125	11.1	275	137.5	52
150	11.7	310	155	67
200	12.8	380	190	102
250	14.0	450	225	145
300	15.2	520	260	197